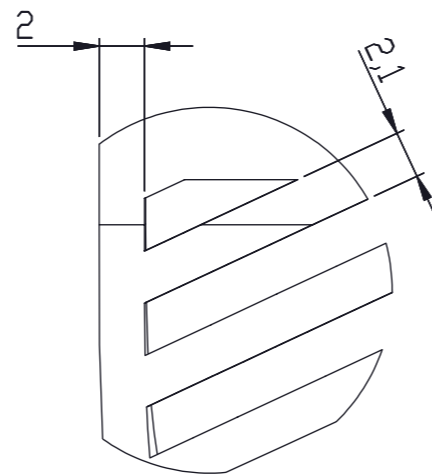
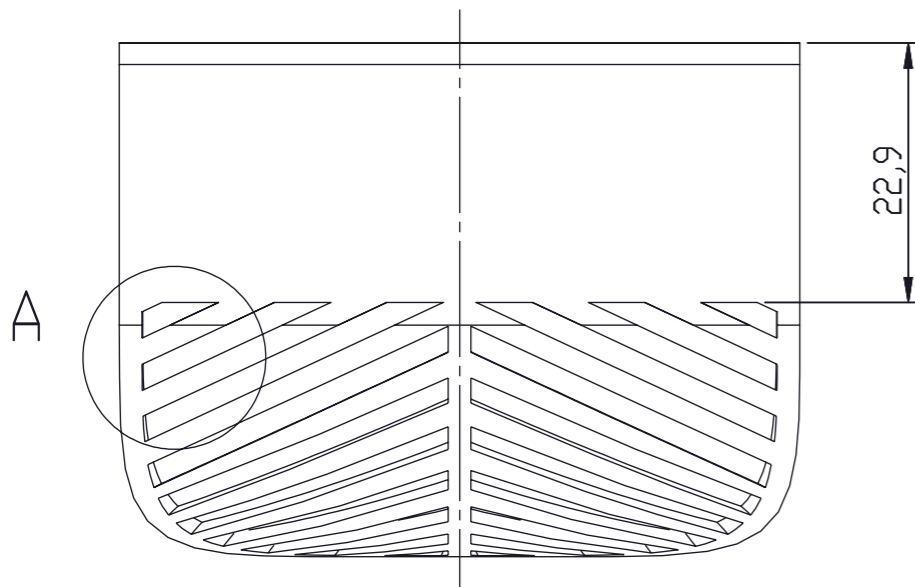
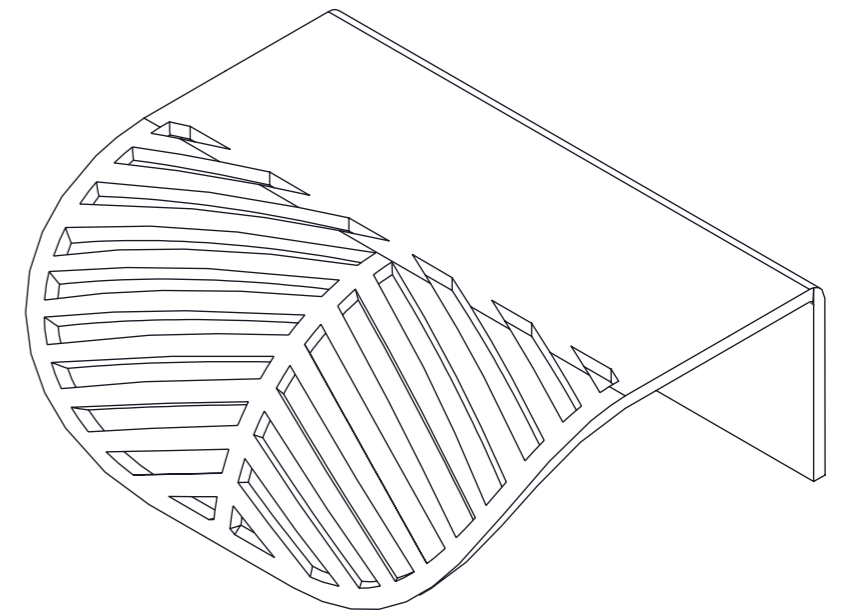


SECTION B-B



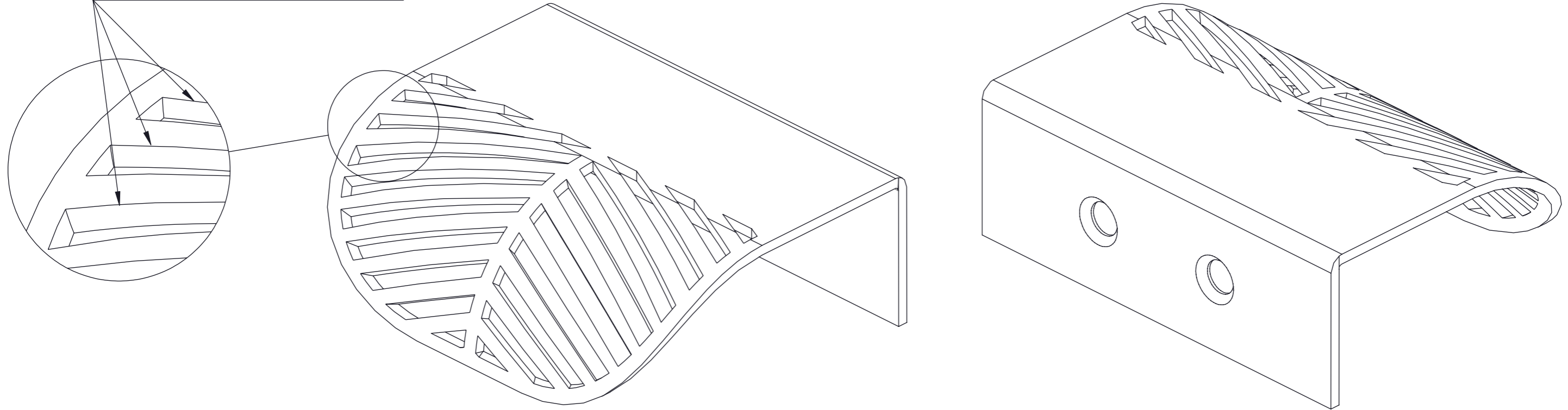
DETAIL A



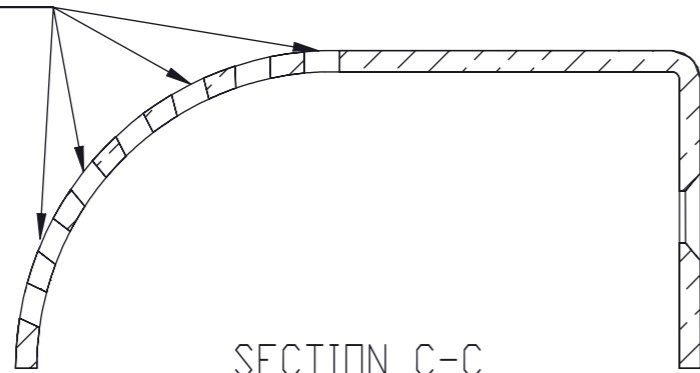
Rev:	Date:	Name:	Description:
C	16-01-2018	BSC	Holes changed
B	06-01-2017	IKR	Name changed. Holes added
A	27-09-2016	IKR	Initial release

Part name: EDGE FILIGREE	Projection: 	Sheet Format: A3	Tolerance unless otherwise specified DS/ISO 2768-1M																
Customer:	Drawn by: IKR date 27-09-2016	Scale: 1:1	Linear dimensions: <table border="1"> <tr> <td>0-3</td> <td>3-6</td> <td>6-30</td> <td>30-120</td> <td>120-400</td> <td>400-1000</td> <td>1000-2000</td> <td>2000-4000</td> </tr> <tr> <td>± 0.1</td> <td>± 0.1</td> <td>± 0.2</td> <td>± 0.3</td> <td>± 0.5</td> <td>± 0.8</td> <td>± 1.2</td> <td>± 2</td> </tr> </table>	0-3	3-6	6-30	30-120	120-400	400-1000	1000-2000	2000-4000	± 0.1	± 0.1	± 0.2	± 0.3	± 0.5	± 0.8	± 1.2	± 2
0-3	3-6	6-30	30-120	120-400	400-1000	1000-2000	2000-4000												
± 0.1	± 0.1	± 0.2	± 0.3	± 0.5	± 0.8	± 1.2	± 2												
Part no: 434020060	Material: Aluminium	Page 1 of 3	<table border="1"> <tr> <td>Angle</td> <td>Radius</td> </tr> <tr> <td>± 0.5°</td> <td>± 0.2</td> </tr> </table>	Angle	Radius	± 0.5°	± 0.2												
Angle	Radius																		
± 0.5°	± 0.2																		
	Weight: 13.06 grams																		
<small>Delta 2 DK-8382 Hinnerup Phone: +45 87 64 35 00 Fax: +45 87 64 35 01</small>																			
<small>COPYRIGHT: THIS DRAWING MAY NOT BE COPIED OR REPRODUCED IN ANY WAY WITHOUT DIRECT PERMISSION FROM FURNIPART A/S</small>																			

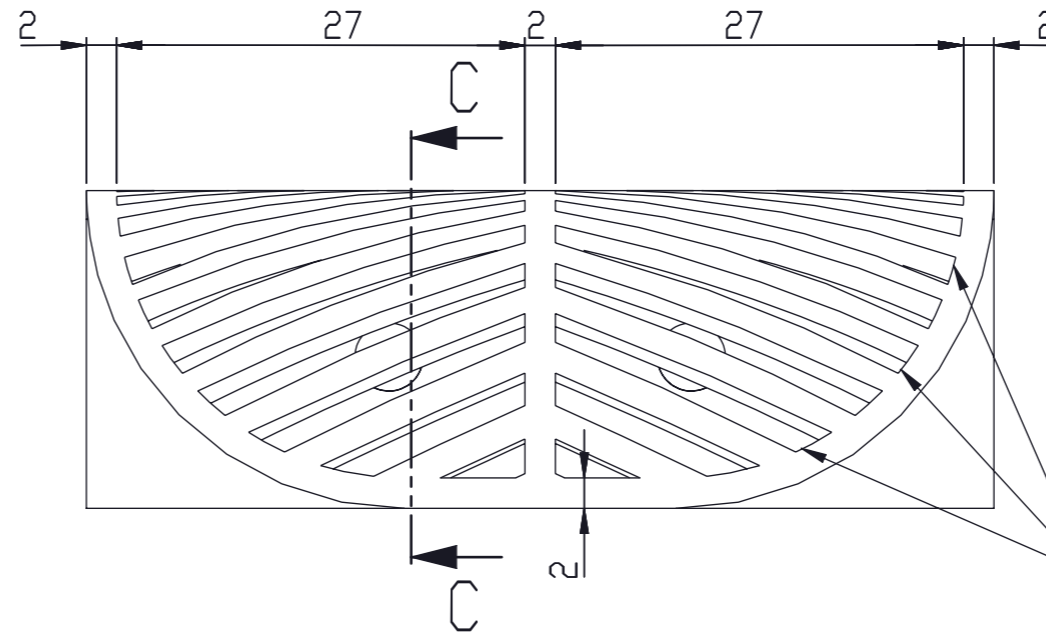
ALL CUTOUTS IN GRID = THROUGH



DIRECTION OF GRID CUTOUT MUST BE NORMAL TO CURVE



SECTION C-C

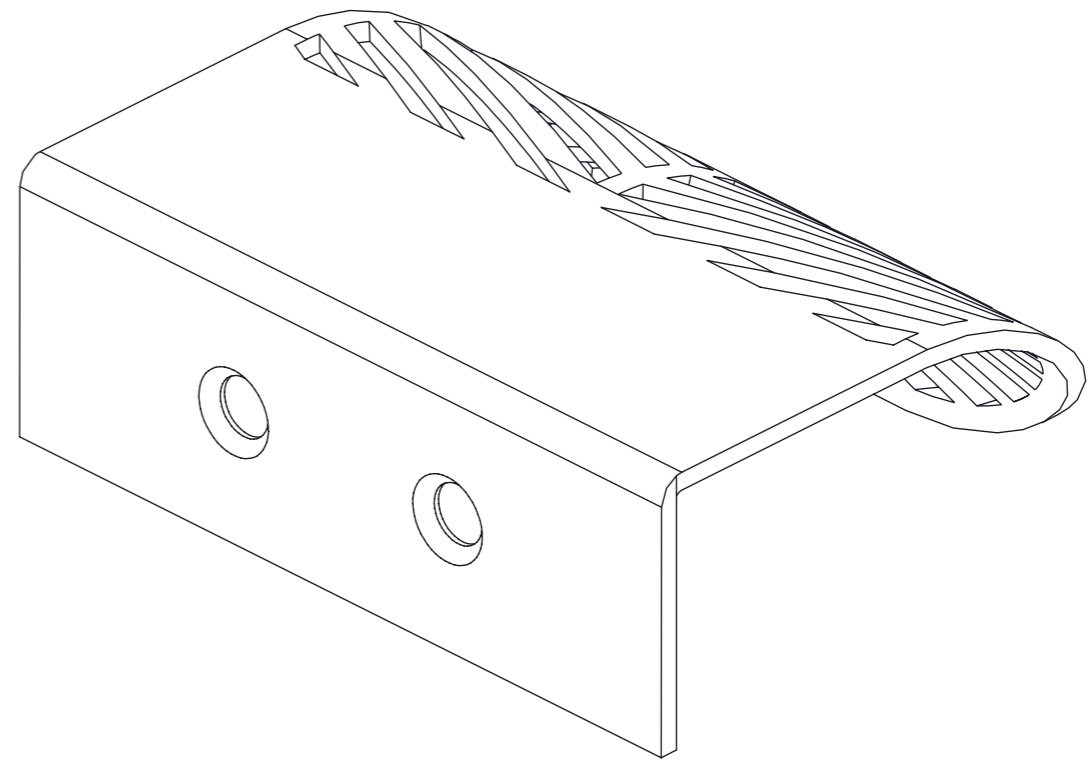
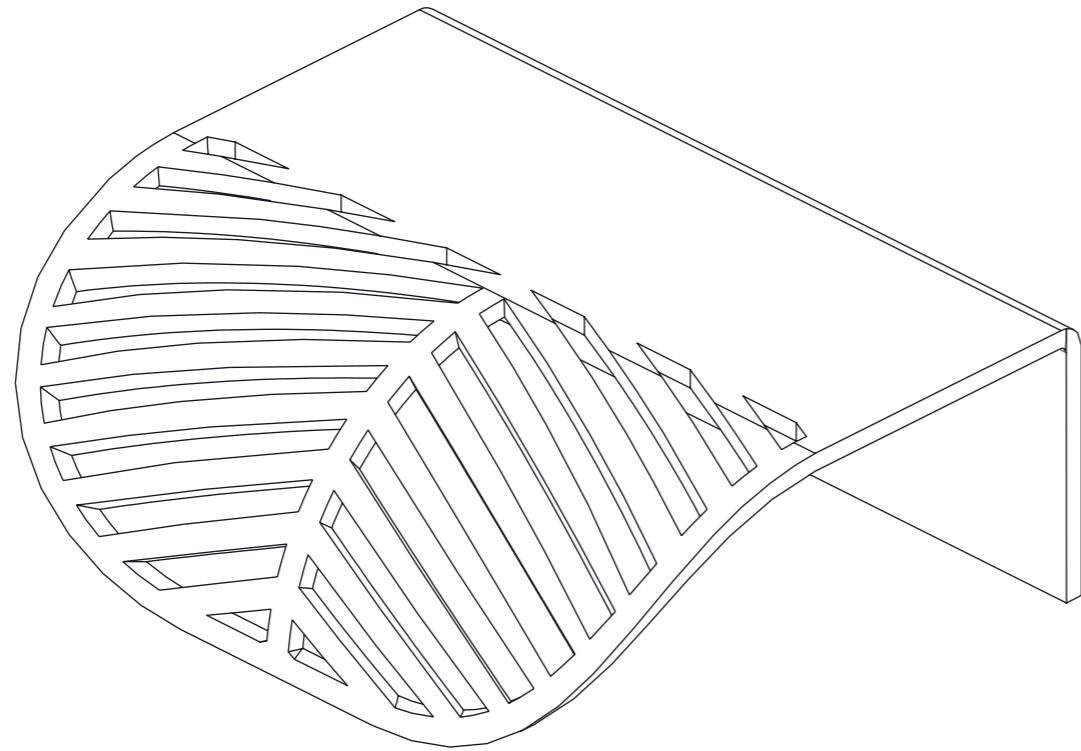


GRID AREA

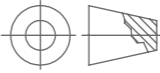
DISTANCE TO EDGE MUST HAVE A SMOOTH TRANSITION

Rev:	Date:	Name:	Description:
C	16-01-2018	BSC	Holes changed
B	06-01-2017	IKR	Name changed. Holes added
A	27-09-2016	IKR	Initial release

Part name: EDGE FILIGREE	Projection: 	Sheet Format: A3	Tolerance unless otherwise specified DS/ISO 2768-1M																						
Customer:	Drawn by: IKR date 27-09-2016	Scale: 2:1																							
Part no: 434020060	Material: Aluminium	Weight: 13.06 grams	<table border="1"> <thead> <tr> <th>Linear dimensions:</th> <th>0-3</th> <th>3-6</th> <th>6-30</th> <th>30-120</th> <th>120-400</th> <th>400-1000</th> <th>1000-2000</th> <th>2000-4000</th> </tr> </thead> <tbody> <tr> <td></td> <td>± 0.1</td> <td>± 0.1</td> <td>± 0.2</td> <td>± 0.3</td> <td>± 0.5</td> <td>± 0.8</td> <td>± 1.2</td> <td>± 2</td> </tr> </tbody> </table> <table border="1"> <thead> <tr> <th>Angle</th> <th>Radius</th> </tr> </thead> <tbody> <tr> <td>± 0.5°</td> <td>± 0.2</td> </tr> </tbody> </table>	Linear dimensions:	0-3	3-6	6-30	30-120	120-400	400-1000	1000-2000	2000-4000		± 0.1	± 0.1	± 0.2	± 0.3	± 0.5	± 0.8	± 1.2	± 2	Angle	Radius	± 0.5°	± 0.2
Linear dimensions:	0-3	3-6	6-30	30-120	120-400	400-1000	1000-2000	2000-4000																	
	± 0.1	± 0.1	± 0.2	± 0.3	± 0.5	± 0.8	± 1.2	± 2																	
Angle	Radius																								
± 0.5°	± 0.2																								
Page 2 of 3			 <small>Delta 2 DK-8382 Hinnerup Phone: +45 87 64 35 00 Fax: +45 87 64 35 01</small>																						
COPYRIGHT: THIS DRAWING MAY NOT BE COPIED OR REPRODUCED IN ANY WAY WITHOUT DIRECT PERMISSION FROM FURNIPART A/S																									



Rev:	Date:	Name:	Description:
C	16-01-2018	BSC	Holes changed
B	06-01-2017	IKR	Name changed. Holes added
A	27-09-2016	IKR	Initial release

Part name: EDGE FILIGREE	Projection: 	Sheet format: A3	Tolerance unless otherwise specified		DS/ISO 2768-1M													
Customer:	Drawn by: IKR date 27-09-2016	Scale: 2:1	Linear dimensions:		0-3	3-6	6 - 30	30-120	120-400	400-1000	1000-2000	2000-4000						
Part no: 434020060	Material: Aluminium	Weight: 13.06 grams	Angle		Radius													
			± 0.1		± 0.1		± 0.2		± 0.3		± 0.5		± 0.8		± 1.2		± 2	
			± 0.5°		± 0.2													
			furnipart®															
			Delta 2 DK-8382 Hinnerup		Phone: +45 87 64 35 00 Fax: +45 87 64 35 01													
COPYRIGHT: THIS DRAWING MAY NOT BE COPIED OR REPRODUCED IN ANY WAY WITHOUT DIRECT PERMISSION FROM FURNIPART A/S																		